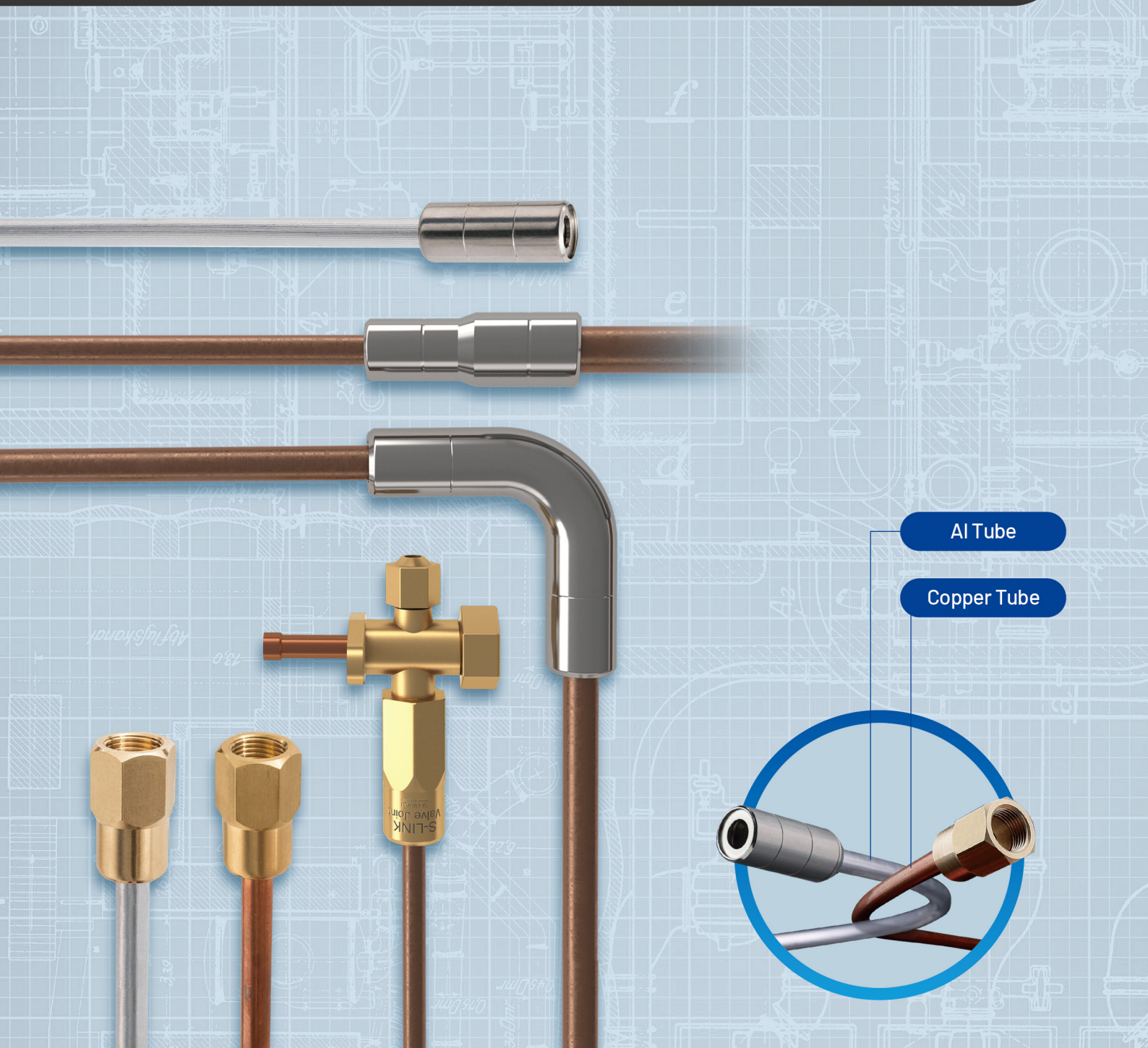


# BRAZING FREE NO TOOL

Push-To-Connector for Refrigerant Line-Set



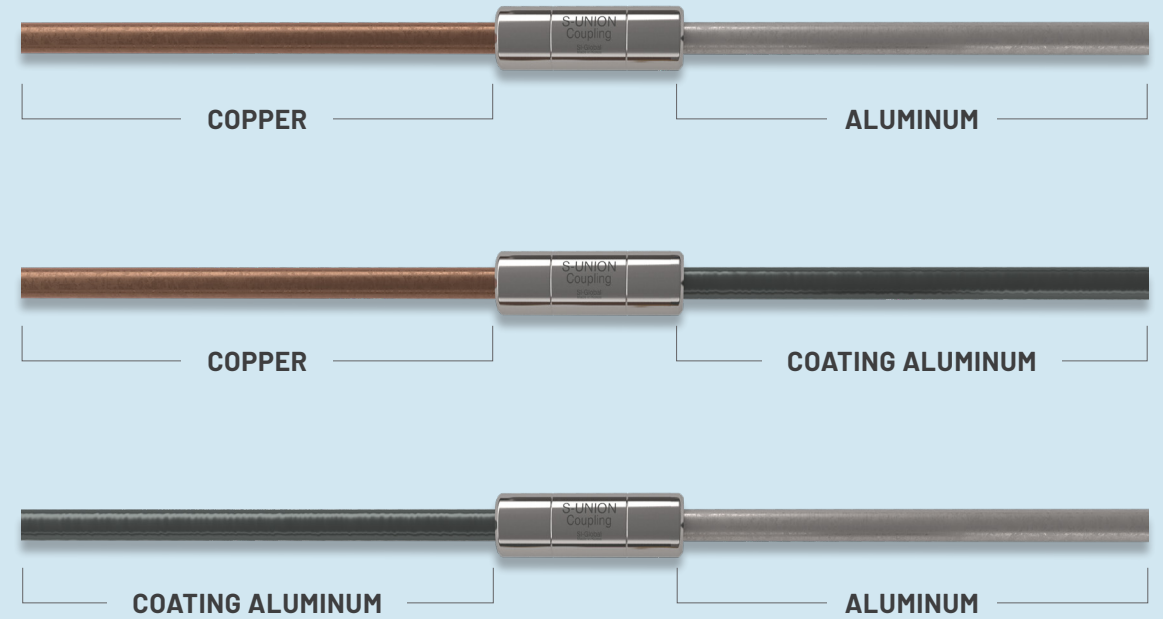
Al Tube

Copper Tube

# PUSH-TO-CONNECTOR "S-SERIES"



## • CERTIFICATE OF PATENT •



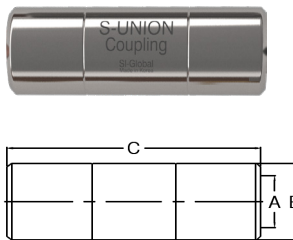
## • PRODUCT INFORMATION •

Application	High Pressure HVAC/R
Refrigerant	HC, HFO
Compatible Tubes	Copper, Aluminum, Coating
Max. Working Pressure	870psi / 60Bar (62kg/cm <sup>2</sup> )
Sealing	Neoprene (Basic) / HNBR (On Request)
Temperature Range	* Neoprene (Basic) : -40°F (-40°C) ~ 248°F (120°C) * HNBR (On Request) : -40°F (-40°C) ~ 300°F (149°C)
Fittings Materials	* S-UNION : Seamless Steel 304 * S-LINK : Yellow Brass
Available size	1/4" 3/8" 1/2" 5/8" 3/4" 7/8" 1-1/8"



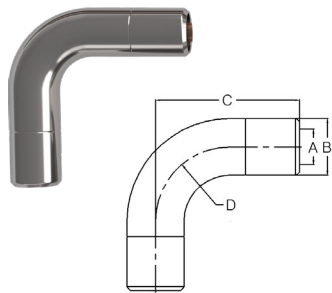
# PUSH TO CONNECT "S-UNION"

## Couplings



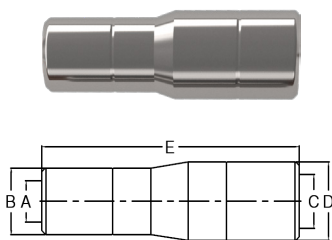
Part	A (ø)	B (ø)	C (mm)
SUN_C1/4"	6.5	16.0	54
SUN_C3/8"	9.7	19.0	55
SUN_C1/2"	13.0	24.2	64
SUN_C5/8"	16.2	27.2	65
SUN_C3/4"	19.4	31.2	76
SUN_C7/8"	22.6	34.2	80
SUN_C1-1/8"	29	41	90

## 90° Elbows



Part	A (ø)	B (ø)	C (mm)	D (Radius)
SUN_E1/4"	6.5	16	54	21
SUN_E3/8"	9.7	19	58	25
SUN_E1/2"	13	24.2	69	31
SUN_E5/8"	16.2	27.2	73	35
SUN_E3/4"	19.4	31.2	89	40
SUN_E7/8"	22.6	34.2	96	45
SUN_E1-1/8"	29	41	116	55

## Reducers



Part	A (ø)	B (ø)	C (ø)	D (ø)	E (mm)
SUN_RC1/4" · RC3/8"	6.5	16	9.7	19	67
SUN_RC3/8" · RC1/2"	9.7	19	13	24.2	75
SUN_RC1/2" · RC5/8"	13	24.2	16.2	27.2	80
SUN_RC5/8" · RC3/4"	16.2	27.2	19.4	31.2	87
SUN_RC3/4" · RC7/8"	19.4	31.2	22.6	34.2	95
SUN_RC7/8" · RC1-1/8"	22.6	34.2	29	41	102

## [ HOW TO USE ]

- Pipe Cutting
- Pipe Deburring
- Check the Mark Line
- Inserting Pipe
- Push the pipe one more time
- Same Mirror

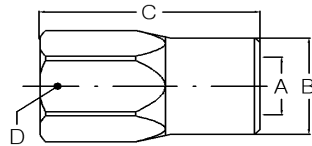
- Application : High Pressure HVAC/R
- Refrigerant : HC, HFO
- Sealing : Neoprene (Basic) / HNBR (On Request)
- Max. Working Pressure : 870psi / 60bar (62kg/cm<sup>2</sup>)
- Temperature Range
  - Neoprene(Basic) : -40°F (-40°C) ~ 248°F (120°C)
  - HNBR(On Request) : -40°F (-40°C) ~ 300°F (149°C)



Don't Insert your Finger

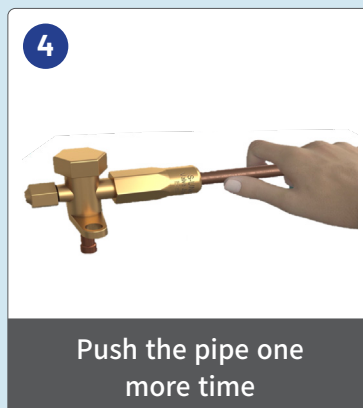
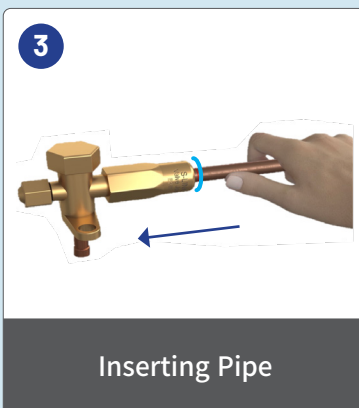
## PUSH TO CONNECT "S-LINK"

### Flare Socket



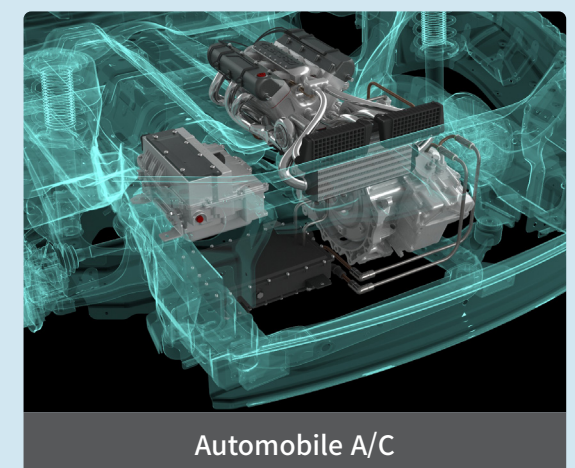
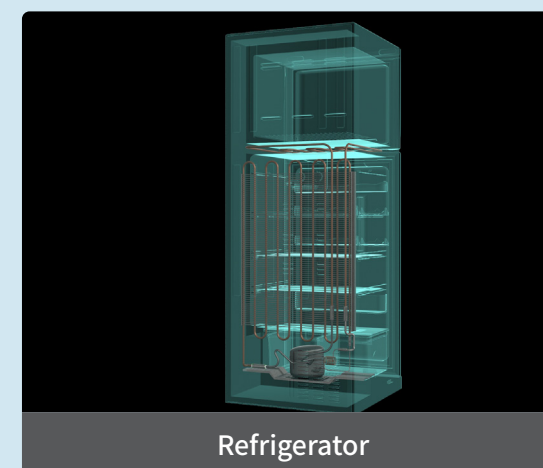
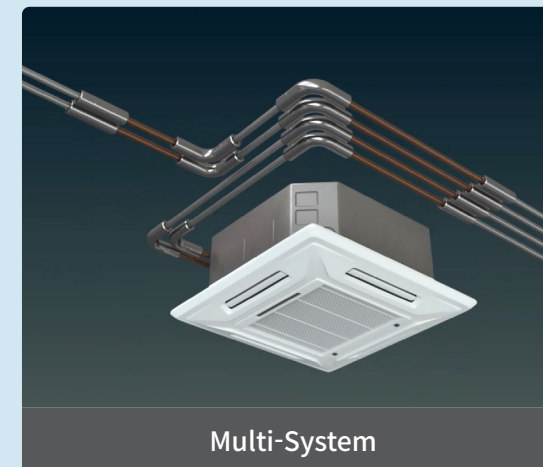
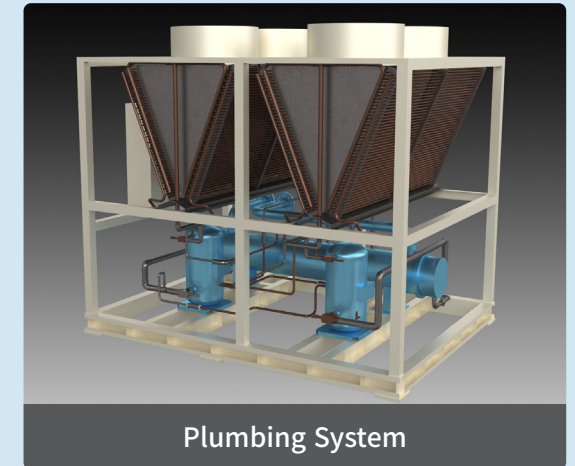
Part	A (∅)	B (∅)	C (mm)	D (UNF) (Threads)
SLK_S1/4"	6.5	17	54	7/16 * 20
SLK_S3/8"	9.7	20	55	5/8 * 18
SLK_S1/2"	13.0	25	64	3/4 * 16
SLK_S5/8"	16.2	28	65	7/8 * 14

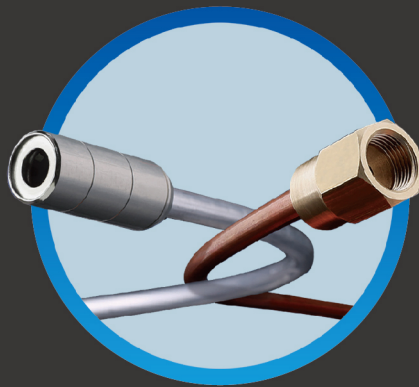
### [ HOW TO USE ]



\*Please push it one more time after inserting the pipe

## APPLICATIONS





---

## PUSH-TO-CONNECTOR "S-SERIES"

---

(주) 에스이노베이션 글로벌

Address. 광주광역시 광산구 하남산단 3번로 14-41 (장덕동)  
14-41, Hanamsandan 3beon-ro, Gwangsan-gu, Gwangju,  
62228, Korea

Tel. 062) 457 - 7788 / +82 (62) 457 - 7788

E-mail. [sales@s-innovation.com](mailto:sales@s-innovation.com) / [sales@si-global.co.kr](mailto:sales@si-global.co.kr)

Web. [www.si-global.co.kr](http://www.si-global.co.kr)